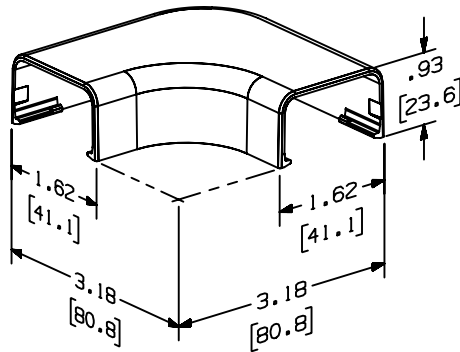


THIS COPY IS PROVIDED ON A RESTRICTED BASIS AND IS NOT TO BE USED IN ANY WAY DETRIMENTAL TO THE INTERESTS OF PANDUIT CORP.

PANDUIT PART NO.	WEIGHT
RAFC10	4.4 LB/100 PCS (2010 g/100 PCS)

NOTES:

- SEE CURRENT CATALOG FOR ADDITIONAL PART NUMBER SUFFIXES TO INDICATE COLOR AND OR PACKAGE QUANTITY.
- THIS PRODUCT IS INTENDED TO BE USED WITH PANDUIT TYPE LD10 RACEWAY.
- NOMINAL WALL THICKNESSES: .070 [1.8].
- THIS PRODUCT IS FEATURED WITH THE TIA/EIA COMPLIANT BEND RADIUS.
- DIMENSIONS IN PARENTHESIS ARE IN METRIC.



CAD FILENAME/LAYERS D35013BD_LD_RAFC10_02.PRT

PANDUIT CORP. TINLEY PARK, ILLINOIS

RIGHT ANGLE FITTING COVER
(RAFC10)
CUSTOMER DRAWING

UNLESS OTHERWISE SPECIFIED,
DIMENSIONAL TOLERANCES ARE:
(.X) ± (.XXX) ±.015 [.4]
(.XX) ±.03 [.8] ANGLES ±

UNLESS OTHERWISE SPECIFIED,
ALL DIMENSIONS ARE GIVEN
IN INCHES, THIRD ANGLE PROJECTION.

REV	DATE	BY	CHK	DESCRIPTION	ECN	CHK	CUST	SUP	DRAWN BY	DATE	CHECKED BY	MAT'L	SCALE	DRAWING NO.	DWG SIZE
2	03-11-04	JHEP	RMHI	B. REMOVED CD10 FROM NOTE 2	35013-04	RGRO	RGRO		DW	02-13-95	CEF	ABS	NONE	35013-04	A
1	07-03-02	JHNU	RMHI	A. REVISED MATERIAL IN DRAWING TITLE BLOCK	35013-04	RGRO	RGRO								
R	02-13-95	DW	CEF	RELEASED TO PRODUCTION	35013-04	CEF	CEF								



+

+

+